

## Measurement technology | METPOINT® UD01/UD02

### METPOINT® UD01/UD02: All information at your fingertips - on site

Many production and treatment processes can only be run efficiently if real-time data is available on site. Without this information, it is impossible to closely monitor the quality of applications and processes and take swift action, if the need arises.

The METPOINT® UD01 and UD02 plug-on displays make measuring data available directly at the transducer - where you need it. You are then in a position to evaluate the quality of your processes in real time right at the plant, enabling you to intervene quickly should it be necessary. Simply mount the device on your transducer.



Apart from displaying the current process parameters, the plug-on displays also allow for the transfer of the measurements to a data logger such as the METPOINT® BDL or to a master control system.

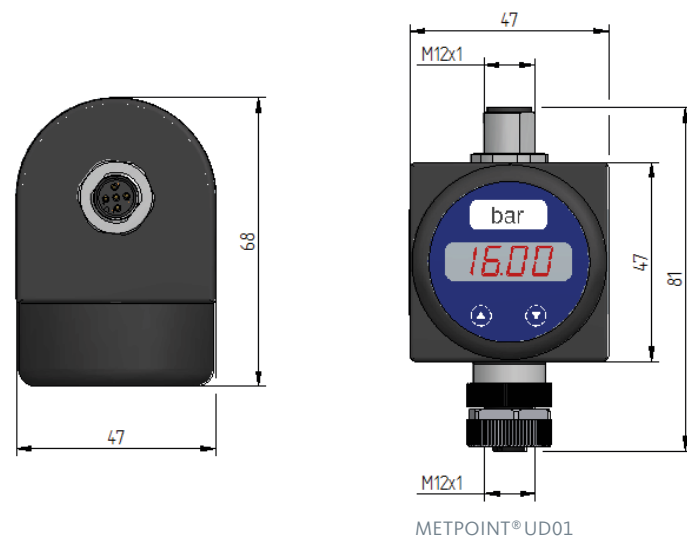
The UD02 plug-on display comes with two integrated alarm contacts that enable you to implement visual and acoustic alarm signals.

- › Flexible integration
- › Easy and quick to install
- › User-friendly display
- › Integrated diagnostics
- › Intuitive configuration options
- › Reliable on-site display

## METPOINT® UD01

Display of quality parameters

Technical data	
Outputs	4 ... 20 mA (2-wire)
<b>Electrical protection</b>	
Short-circuit resistance	permanent
Polarity reversal protection	No damage, no function
Electromagnetic compatibility	Emitted interference and interference resistance according to EN 61326
Safety limits	U = 28 V, $\Sigma I = 93$ mA, $\Sigma P = 660$ mW
<b>Display</b>	
Type	Four-digit red LED display, digit height 7 mm, digit width 4.85 mm
Range	-1999 ... +9999
Accuracy	0.1 % $\pm$ 1 digit
Digital attenuation	0.3 ... 30 s (programmable)
Display update frequency	0.0 ... 10 s (programmable)
<b>Mechanical strength</b>	
Vibration	5 g RMS (20 ... 2000 Hz)
Shock	100 g / 11 ms
Operating temperature	-25 ... +85 °C
Storage temperature	-40 ... +85 °C
Housing material	PA 6.6, polycarbonate
Weight	approx. 100 g
Data memory	EEPROM, non-volatile
Protection class	IP 65

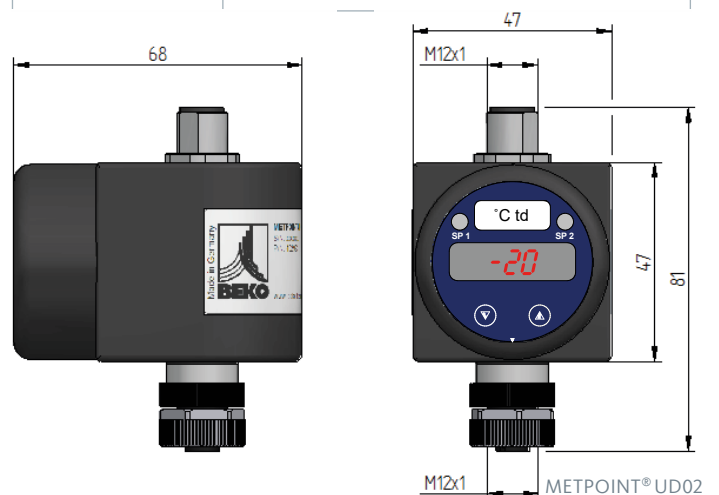


## METPOINT® UD02

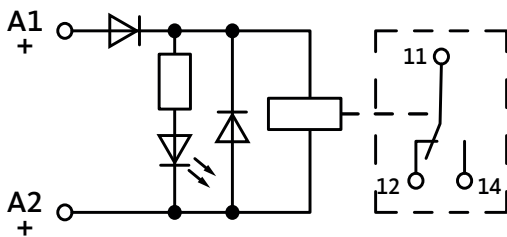
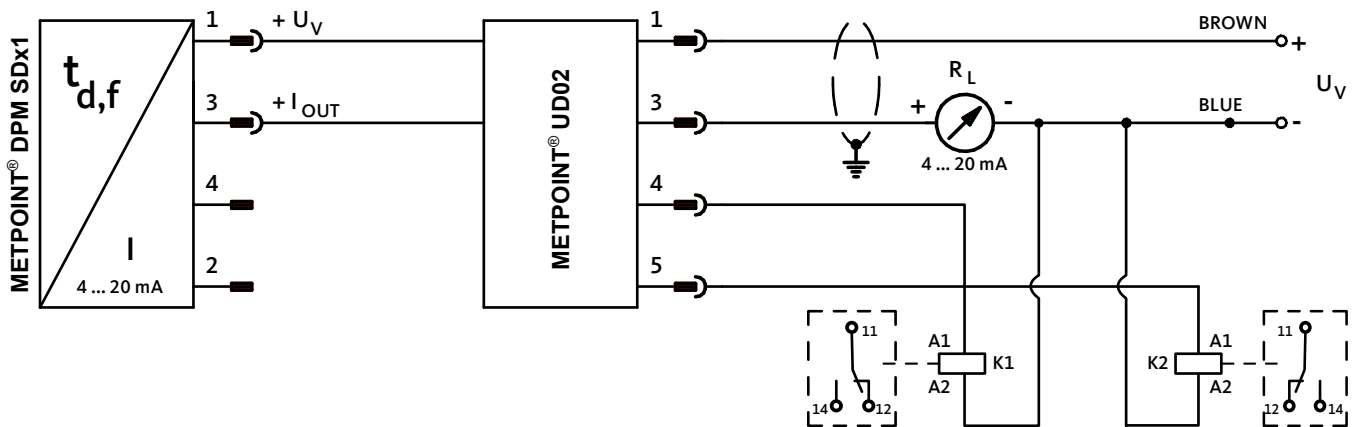
Display of quality parameters

Technical data	
Outputs	4 ... 20 mA (2-wire)
<b>Switching outputs</b>	
Number, type	Max. 2 independent PNP open collector contacts
Switching power	USwitch = UB - 2 V; max. load 125 mA, short-circuit proof
Max. switching current	70 mA
Reproducibility	$\leq \pm 0.1$ % Full Scale Output (FSO)
Switching frequency	max. 10 Hz
Switching cycles	$> 100 \times 10^6$
Delay	0 ... 100 s
<b>Electrical protection</b>	
Short-circuit resistance	permanent
Polarity reversal protection	No damage, no function
Electromagnetic compatibility	Emitted interference and interference resistance according to EN 61326
Safety limits	U = 28 V, $\Sigma I = 93$ mA, $\Sigma P = 660$ mW
<b>Display</b>	
Type	Four-digit red LED display, digit height 7 mm, digit width 4.85 mm

Range	-1999 ... +9999
Accuracy	0.1 % $\pm$ 1 digit
Digital attenuation	0.3 ... 30 s (programmable)
Display update frequency	0.0 ... 10 s (programmable)
<b>Mechanical strength</b>	
Vibration	5 g RMS (20 ... 2000 Hz)
Shock	100 g / 11 ms
Operating temperature	-25 ... +85 °C
Storage temperature	-40 ... +85 °C
Housing material	PA 6.6, polycarbonate
Weight	approx. 100 g
Data memory	EEPROM, non-volatile
Protection class	IP 65



## Wiring example: connection of UD02 for control of external changeover contact for alarm lights, etc.



### K1 / K2 relay module

Type: EMG 10-REL/KSR-G 24/21-LC

Excitation side:	
Excitation side:	4 ... 20 mA (2-wire)
Input voltage:	24 VAC
Typical input current:	21 mA
Contact side:	
Max. switching voltage:	250 V AC/DC
Max. switch-on current:	8 A
Limiting continuous current:	6 A

## Principle of operation of METPOINT® UD01/UD02:



The METPOINT® UD01/UD02 plug-on displays are compatible with all transducers that come with a 4 ... 20 mA / 2-wire analog output. The display is installed between the plug and the cable box and is instantly ready for operation. It can be programmed by means of a menu system and two push buttons. The programmed parameters are stored in EEPROM so that they are not lost in the event of a power failure. Exceedance will result in messages that inform the operator of a problem. Alarms are indicated by LEDs located beside the digital display, and the relevant switching contacts are activated. The device is shipped with a number of unit labels.

## Do you have questions about the best way of processing compressed air?

We have the answers! We offer efficient solutions for any type of processing. Please contact us with all your queries.

We would be delighted to tell you more about our condensate treatment, filtration, drying, measuring technology and process technology, as well as our extensive services.

Visit us at



**BEKO TECHNOLOGIES GMBH**  
Im Taubental 7 | D-41468 Neuss

Tel. +49 2131 988 - 1000  
info@beko-technologies.com  
www.beko-technologies.de



Subject to technical changes without prior notice. Errors and omissions excepted.