

Instructions for installation and operation

english

Instrucciones de montaje y de uso

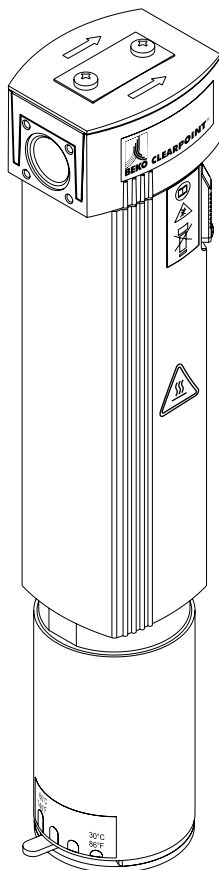
español

Instructions de montage et de service

français

Manual de instalação e de instruções

português



CLEARPOINT®

S040 TWC Control

S050 TWC Control

Compressed air heater, adjustable

Calentador de aire comprimido, regulable

Réchauffeur d'air comprimé, réglable

Aquecedor de ar comprimido, ajustável

Dear customer,

Thank you for deciding in favour of the CLEARPOINT compressed air heater. Please read the present instructions carefully before installing the heater and putting it into operation. The perfect functioning of the device can only be guaranteed if the rules and conditions stated here are adhered to.

Estimado cliente,

muchas gracias por haber elegido el calentador de aire comprimido CLEARPOINT. Por favor, antes de montarlo y de ponerlo en funcionamiento, lea atentamente estas instrucciones de instalación y de servicio y siga nuestras recomendaciones. El perfecto funcionamiento del aparato sólo estará garantizado si observa estrictamente las normas y los consejos indicados.

Cher client,

Vous venez d'acquérir un réchauffeur d'air comprimé CLEARPOINT et nous vous en félicitons. Nous vous recommandons de lire attentivement ces instructions avant le montage et la mise en service et de suivre nos conseils. Car, seul le respect scrupuleux des prescriptions et consignes données, peut garantir le parfait fonctionnement de l'appareil.

Prezado cliente!

Agradecemos que tenha comprado o aquecedor de ar comprimido CLEARPOINT. Antes da montagem e tomada em funcionamento, queira ler com atenção estas instruções de instalação e serviço e seguir as nossas indicações. Só observando de modo metódico as normas e indicações pode ser garantido um funcionamento perfeito do aparelho.



Please check whether or not these instructions correspond to the CLEARPOINT compressed-air heater (S040/S055 TWC type).

Application

Application is restricted to compressed air and inert gases of fluid group 2 in accordance with the 97/23/EC European Guideline concerning pressure devices (Pressure Equipment Directive). Abusive employment of the compressed-air heater for the heating of other media or for purposes other than the heating of compressed air or of inert gases of fluid group 2 is not allowed. The application in ex-areas is also not allowed. The compressed-air heater is employed mainly where aerosols and condensate, developing through cooling of the compressed air, lead to disturbances:

- Malfunctions of measurement & control instruments
- Water blisters during spray painting
- Premature wear of tools as a result corrosion
- Freezing-up of valves and control elements during fast expansion of compressed air

The compressed-air heater will only function when the indicated operating voltage is applied.

Safety rules

- It is essential to observe the instructions for installation and operation!



Danger !
Compressed air !

Risk of serious injuries or death through the contact with quickly or suddenly emerging compressed air or through bursting plant components.

Use pressure-resistant installation material!

Make sure that no persons or objects can be hit by condensate or emerging compressed air.

Caution!

Carry out installation and maintenance works only when the system is pressureless, deactivated and cooled down!

Measures:

- Do not exceed the maximum operating pressure (see identification plate)
- Use pressure-resistant, metallic installation material only!
Compressed-air supply and takeoff must be piped firmly. As a result of the temperature development at the device, do not employ plastic pipes. Make sure that persons or objects cannot be hit by condensate which may be found inside the device.
- Avoid chemically aggressive environments or cleaning with aggressive agents, as these may affect the material of the pressure vessel!
- Do not carry out repair works on the device on your own! Defective devices must be returned to the manufacturer!



Danger!
High temperature at the housing!

Burns can result from the contact of unprotected parts of the body with the hot housing (up to 176°F). Risk of fire through easily inflammable objects, dusts and gases.

Caution!

Carry out installation works only when the system is pressureless, deactivated and cooled down!

Measures:

- Keep distance from the housing. Check the temperature prior to touching it.
- Do not exceed the maximum compressed-air temperature (see identification plate)!
- Employ contact protection (recommended accessories).
- Use only suitable material for thermal insulation of the device (392°F).
- Do not carry out repair works on the device on your own! Defective devices must be returned to the manufacturer!



Danger!
Mains voltage!

There is the risk of an electric shock involving injury or death when coming into contact with non-insulated components carrying mains voltage.

Caution!

Carry out installation works only when the system is pressureless, deactivated and cooled down! All types of electrical works must be implemented by authorised and qualified personnel only.

Measures:

- During electric installations, all regulations need to be observed (VDE 0100)! In addition, national rules and safety regulations regarding the dealing with electrical devices must be adhered to!
- The connecting cable of the device must not come into contact with the housing of the compressed-air heater!
- Do not use the compressed-air heater in ex-areas.
- Do not carry out repair works on the device on your own! Defective devices must be returned to the manufacturer!

General notes

- It is essential to observe the instructions for installation and operation! Non-observance can lead to injury or damage to the system! During electric installations, the national rules and safety regulations in effect regarding the dealing with electrical devices must also be adhered to!
- Do not exceed the permissible electrical voltage, operating pressure and compressed air temperature (see Technical Data)!
- Carry out installation works only when the system is pressureless, deactivated and cooled down! De-pressurise the system and disconnect the device from the mains voltage!
If there is a leak in the compressed-air supply or discharge line at the compressed-air heater, first deactivate the compressed-air system. Only then may the leak be eliminated. Leaks at the compressed-air heater itself require complete replacement of the device!
- The compressed-air heater must not be repaired by oneself but returned to the manufacturer.
- The compressed-air heater will only function when voltage is applied.
- Installation and electrical connection must only be carried out by suitably qualified personnel.
- The device is to be installed with the compressed air inlet at the top and the electrical connection at the bottom (see functional diagram).
- Only use temperature- and pressure-resistant components (tubing, seals, sealant...)
- Use only suitable material for thermal insulation of the device (**392°F**).
- Avoid chemically aggressive environments or cleaning with aggressive agents!
- Protect device during operation against the external impact of drip or splash water!
- A pre-heating phase of approx. 10 minutes prior to the actual employment should be taken into account, as the heating-up process is regulated by the electronic circuit and deliberately undertaken slowly.
- Do not touch the device and pipes near the device during operation! Although the device is equipped with an internal thermal overload protection, temperatures may rise to 176°F during standstill (no compressed-air withdrawal)! **You may need to protect the device against accidental contact (see recommended accessories)**. At short intervals compressed-air withdrawal / standstill, the compressed-air temperature may, for a short period of time, exceed 140°F.
- Pull out the connector plug during longer standstill periods of the plant or de-energise the device. The socket for connecting the device plug should therefore be easily accessible. **Ensure that the device's connecting cable cannot come into contact with the housing of the compressed air heater!**

- Check the device regularly to ensure correct functioning and avoid damage!
 - Check the device regularly for damage to the container and the cable. Replace it, if required.
 - For the point of installation, the following needs to be taken into account
 - No strong vibrations via tubing or fixing
 - Good ventilation to prevent heat accumulation
 - No direct contact to or insufficient distance from inflammable materials
- The indications regarding the compressed-air outlet temperature refer to the temperature directly at the outlet of the compressed-air heater. Depending on the installation regarding the respective transmission of the heated compressed air, the loss of heat which may occur between the compressed-air outlet at the CLEARPOINT compressed-air heater and the actual point of use of the compressed air needs to be taken into account. Where required, a thermal insulation for the downstream pipes should be mounted by an installer / the plant operator.

Function

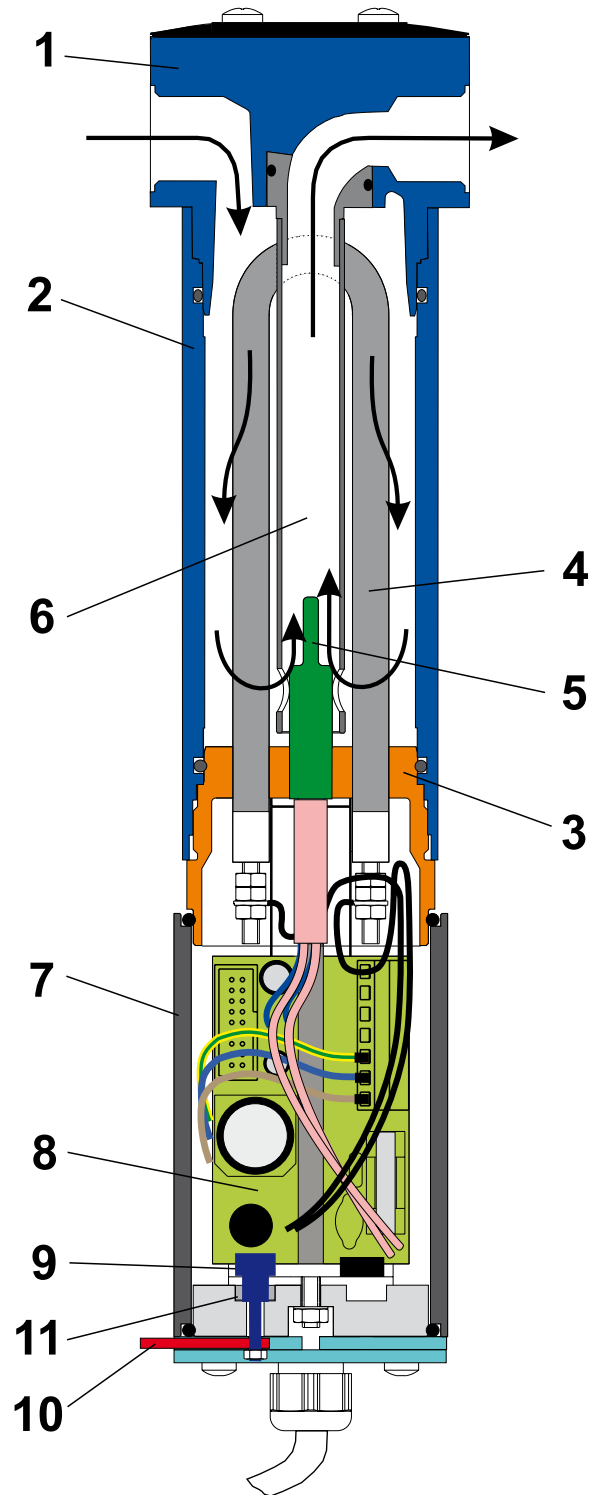
The filter heater consists of a CLEARPOINT housing, in the container (2) of which a compact screw-in part (3) with a heating element (4) is installed at the bottom. The screw-in part (3) also contains a pressure-resistant shielded temperature sensor (5). An internal sleeve (6) is fixed centrally between head (1) and screw-in part.

At the bottom part of the device is the electric housing (7), into which the voltage supply (standard connecting cable with a plug connector) and a printed circuit board (8) are integrated.

A potentiometer (9) is installed on the circuit board which can be adjusted via a lever (10) protruding laterally at the bottom. With this, the maximum temperature of the leaving compressed air is adjustable (adhesive labels with limit values, see also "Technical data"). The electric housing is equipped with an excess pressure protection (11), in case leaks between the container (2) and the electric housing (7) should exist.

The compressed-air entering at the filter head (1) is distributed and flows downwards in the container (2). Heating-up, which is measured continuously with the temperature sensor (5), is implemented via contact with the heating element (4). Via the centrally installed internal sleeve (6), the heated compressed air flows towards the outlet at the filter head (1) and then towards the compressed-air application.

The temperature sensor (5) and the electronic control which are integrated into the printed circuit board (8) guarantee the observance of the maximum surface temperature. Due to the minor thermal mass of the heating element and to exact registration of the compressed-air temperature, fast adjustment of the heating power within the performance curve of the device is possible.



Installation

Contrary to conventional devices, CLEARPOINT compressed-air heaters can also be operated with saturated compressed air. However, the employment of a coalescence filter upstream of the compressed-air heater, which removes aerosols from the compressed air, is advisable. For practical reasons, the compressed-air heater is installed directly upstream of the point of application. The device is to be installed with the compressed air inlet at the top and the electrical connection at the bottom (see functional diagram).

Where the application requires a specific compressed air quality and where a coalescence filter is to be installed in front of the compressed air heater, the filter and filter heater can simply be combined to a compact treatment system using connection kit F2CK4.

1. Determine the point of installation,
 - There must be no strong vibrations
 - Good ventilation to avoid heat accumulation
 - No direct contact with or insufficient distance from flammable materials
2. Depressurize the line.
3. Install device observing the direction of flow (see arrow on black cap), combined with filters in a vertical position.
4. Use connection fittings with cylindrical thread according to DIN-ISO 7/1228-1 / ANSI ASME B120.1-1983 and seal with suitable sealant.
5. Install the socket for connecting the device plug in an easily accessible position. The electrical connection of compressed-air heaters of the type with a cable and without a plug must be undertaken by authorised qualified personnel only. **The connecting cable must not come into contact with the housing of the compressed-air heater or other heated components of the plant!**

Start-up procedure

1. Do not switch on the compressed air heater at this stage (do not put the device plug into the socket)!
2. After correct installation, pressurize the device slowly until a uniform pressure is established.
3. Check that the system is tight. In the case of leaks, shut off the compressed air supply and remove the cause of the leakage immediately! Repressurize the system.
4. Temperature pre-adjustment for an internal maximum temperature (compressed-air outlet temperature):
 - Lever stop on the right: approx. 86°F
 - Lever stop on the left: approx. 140°F



5. The device type with a cable and without a plug must be connected electrically by authorised qualified personnel only. As regards devices with a plug, check whether or not a supply voltage of 115 VAC is available at the plug connector. Then plug in the device (safety plug).
6. A pre-heating phase of approx. 10 minutes prior to the actual employment should be taken into account, as the heating-up process is regulated by the electronic circuit and deliberately undertaken slowly.

Maintenance



Danger!
Compressed air!

Risk of serious injuries or death through the contact with quickly or suddenly emerging compressed air or through bursting plant components.



Danger
Mains voltage!

There is the risk of an electric shock involving injury or death when coming into contact with non-insulated components carrying mains voltage.

Measures:

During electric installations, all regulations need to be observed (VDE 0100)!

All types of electrical works must be implemented by authorised and qualified personnel only.



Danger!
High temperature at the housing!

Burns can result from the contact of unprotected parts of the body with the hot housing (up to 176°F). Risk of fire through easily inflammable objects, dusts and gases.

Caution!

No maintenance works are required or permitted directly at the compressed air heater. Defective devices need to be returned to the manufacturer for repair.

Maintenance works at the device are limited to regular inspections, the cycle of which the plant operator will determine:

- a) Examination of the electric connecting cable
 - no contact with the housing
 - no damages in the coat of the cable
 - proper connection to the mains supply
 - deactivation during longer standstill periods or when the factory is closed
- b) Assessment point of installation (risk of fire)
 - sufficient ventilation, no thermal insulation at the device
 - no contact to inflammable materials and dusts and none in the vicinity
 - avoidance of splash water
- c) Body of the device
 - no mechanical damage on pressurised parts of the housing
 - correct seat of the electric housing (plastic bottom part)
 - correct seat of the contact protection, as far as available
 - richtiger Sitz von Berührungsschutz, soweit vorhanden
- d) Lever for the adjustment of the compressed-air temperature
 - Check mobility / adjustability
 - No mechanical damage

Technical data

Medium: Compressed air, inert gases
 - free from aggressive substances
 - dry to moisture-saturated

Housing material: Aluminium, anodized
 Powder-coated outside
 Bottom area POM

max. operating pressure PS: 232 psi

Pipe connection: 3/8" bei S040
 1/2" bei S050

Flow rate at 100 psi: max. 30 scfm at S040
 max. 60 scfm at S050

Differential pressure: S040 at 30 scfm : < 2.0 psi
 S050 at 60 scfm : < 3.0 psi

Inlet temperature: 35°F to 123°F

Ambient temperature: 35°F to 123°F

Setting range compressed-air outlet temperature:
 86°F to 140°F

Internal safety cut-off temperature: 183°F

Max. outside temperature of housing: 176°F

Max. compressed-air outlet temperature: 140°F

Volume: 0.11 gallon

Voltage: 115 VAC / 50-60 Hz +/- 25%

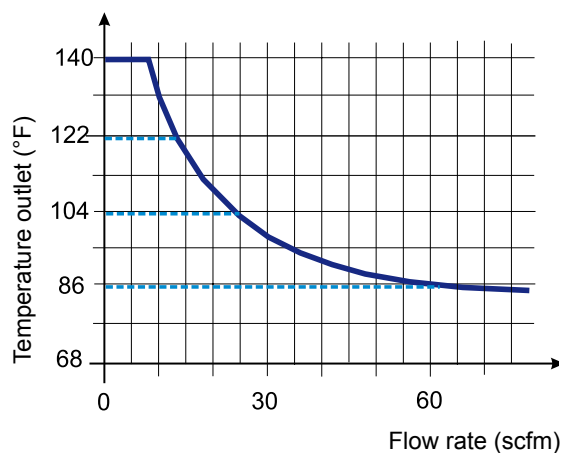
Power *: 420 (750) W

Protection standard: IP 54

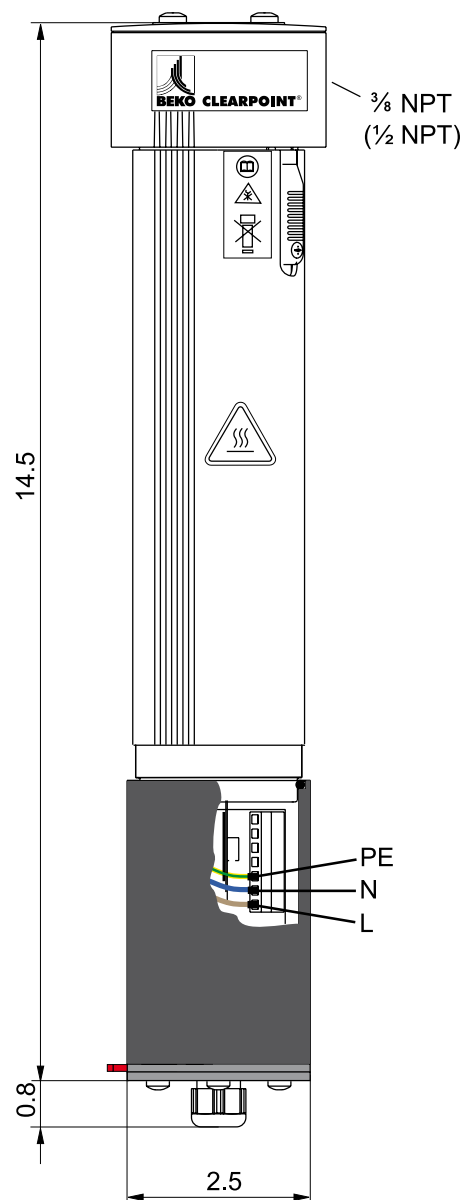
Weight: 5.3 lb

* at 68°F :
 - making-current max 8 A
 making-capacity max. 750 W

Increase in the temperature depending on the volume flow
 - Compressed-air inlet temperature 68°F
 - Adjustment range internal maximum temperature
 (compressed-air outlet temperature) 86°F to 140°F



Note:
 Possible cooling of the compressed air between the outlet of the heater and the application needs to be taken into account.



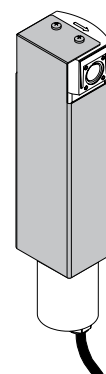
dimensions (inch)

Accessories

Touch protection :

to be installed on the filter head

Order number.: XZ CPHZ 001





Por favor, compruebe que estas instrucciones corresponden al calentador de aire comprimido CLEARPOINT modelo S040/S050 TWC.

Uso

El uso del aparato se limita al aire comprimido y los gases inertes del grupo de fluidos 2 de acuerdo con la Directiva de Equipos a Presión 97/23/CE. No es admisible el uso del calentador de aire comprimido para otros medios u otros fines que no sean los de calentar aire comprimido o gases inertes del grupo de fluidos 2. Tampoco se permite el uso en zonas Ex. El calentador de aire comprimido se utiliza preferentemente allí donde los aerosoles y los condensados producidos por la refrigeración del aire a presión provocan averías:

- fallos de funcionamiento de los instrumentos de medición y regulación;
- burbujas de agua durante el pintado con espray;
- desgaste prematuro de las herramientas por la corrosión;
- congelación de las válvulas y de los elementos de regulación por la rápida expansión del aire comprimido.

El calentador de aire comprimido sólo funcionará si se aplica la tensión de servicio indicada.

Advertencias de seguridad:

- ¡Es imprescindible seguir las instrucciones de instalación y de servicio!



¡Peligro!

¡Aire comprimido!

Existe peligro de sufrir lesiones graves o incluso la muerte si se entra en contacto con aire comprimido que se escape de forma rápida o repentina, o por la explosión de alguna pieza del aparato.

¡Utilizar material de instalación resistente a la presión!

Asegúrese de que las personas o los objetos no puedan recibir el impacto del condensado o del aire comprimido que se escape.

¡Atención!

¡Realizar los trabajos de instalación únicamente cuando el sistema esté sin presión, sin tensión y frío!

Medidas:

- ¡No superar la presión máxima de servicio (véase la placa de identificación)!
- ¡Utilizar únicamente material de instalación metálico resistente a la presión! Atornillar con firmeza la entrada y la salida de aire comprimido. Debido a las temperaturas que se desarrollan en el aparato, no usar tuberías de plástico. Asegúrese de que las personas o los objetos no puedan entrar en contacto con el condensado que pueda haber en el interior del aparato.
- ¡Evitar entornos químicos agresivos y la limpieza con detergentes agresivos, ya que éstos podrían atacar el material de que está hecho el depósito de presión!

- ¡No realice los trabajos de reparación del aparato por su cuenta!

¡Los aparatos averiados deben enviarse al fabricante!



¡Peligro!

¡Alta temperatura en la carcasa!

Si alguna parte del cuerpo desprotegida entra en contacto con la carcasa caliente (hasta +80°C) pueden producirse quemaduras. Peligro de incendio por objetos, polvos o gases fácilmente inflamables.

¡Atención!

¡Realizar los trabajos de instalación únicamente cuando el sistema esté sin presión, sin tensión y frío!

Medidas:

- Mantener la distancia a la carcasa. Antes de tocarla, comprobar la temperatura.
 - ¡No superar la temperatura máxima del aire comprimido (véase la placa de identificación)!
 - Utilizar protección contra contactos (accesorio recomendado).
 - Aislar térmicamente el aparato sólo con materiales adecuados (200°C).
 - ¡No realice los trabajos de reparación del aparato por su cuenta!
- ¡Los aparatos averiados deben enviarse al fabricante!



Peligro!

¡Tensión de la red!

Peligro de sufrir una descarga eléctrica con resultado de lesiones o muerte por contacto con piezas no aisladas que lleven tensión de red.

¡Atención!

¡Realizar los trabajos de instalación únicamente cuando el sistema esté sin presión, sin tensión y frío! Todos los trabajos eléctricos deben realizarse únicamente por personal técnico cualificado.

Medidas:

- ¡Respetar todas las normas vigentes para instalaciones eléctricas (VDE 0100)! ¡Cumplir también las disposiciones y normas de seguridad nacionales para el manejo de aparatos eléctricos!
 - ¡El cable de conexión del aparato no debe entrar en contacto con la carcasa del calentador de aire comprimido!
 - No usar el calentador de aire comprimido en zonas con peligro de explosión.
 - ¡No realice los trabajos de reparación del aparato por su cuenta!
- ¡Los aparatos averiados deben enviarse al fabricante!

Advertencias generales

- ¡Es imprescindible seguir estas instrucciones de instalación y de servicio! ¡El incumplimiento de las mismas puede tener como consecuencia lesiones o averías del sistema! ¡Para la instalación también deberán cumplirse las disposiciones y las normas de seguridad nacionales vigentes para el manejo de aparatos eléctricos!
- ¡No superar la tensión eléctrica, la presión de servicio ni la temperatura del aire comprimido (véanse los datos técnicos)!
- ¡Realizar los trabajos de instalación únicamente cuando el sistema esté sin presión, sin tensión y frío! ¡Despresurizar el sistema y desconectarlo de la red!

¡En caso de que la entrada o la salida de aire comprimido del calentador de aire comprimido presente fugas, apagar el sistema de aire comprimido y sólo entonces eliminar las fugas! ¡En caso de fuga en el propio calentador de aire comprimido, sustituir el aparato completo!
- No debe reparar el calentador de aire comprimido por su cuenta, sino enviarlo al fabricante
- El calentador de aire comprimido sólo funcionará si se aplica tensión.
- ¡La instalación y la conexión eléctrica debe realizarlas únicamente personal técnico cualificado!
- El aparato debe instalarse con la entrada de aire comprimido arriba y la conexión eléctrica abajo (véase el croquis de funcionamiento).
- Emplear únicamente piezas resistentes a la temperatura y la presión (tuberías, juntas, material aislante...)
- Aislar térmicamente el aparato sólo con materiales adecuados (**200°C**).
- ¡Evitar entornos químicos agresivos y la limpieza con detergentes agresivos!
- ¡Proteger el aparato durante el funcionamiento contra la acción externa de gotas o salpicadura de agua!
- Se debe prever una fase de precalentamiento de unos 10 min. antes de proceder al uso propiamente dicho, ya que la conexión electrónica regula intencionadamente el proceso de calentamiento para que éste se produzca de forma lenta.
- ¡No tocar el aparato ni las tuberías próximas durante su funcionamiento! El aparato dispone de una protección interna contra las sobrecargas térmicas, pero puede calentarse hasta alcanzar los +80°C en parada (sin toma de aire comprimido). **En su caso, proteger el aparato para que no se pueda tocar por descuido (véase el accesorio recomendado)**. En intervalos breves de toma de aire comprimido o parada, la temperatura del aire comprimido puede situarse momentáneamente por encima de +60°C.
- Cuando el equipo vaya a estar parado durante un periodo largo de tiempo, desenchúfelo o desconecte la tensión del aparato. A tal fin, es conveniente instalar el enchufe para la conexión del aparato en un lugar fácilmente accesible. **¡El cable de conexión del aparato no debe entrar en contacto con la carcasa del calentador de aire comprimido!**
- ¡Comprobar periódicamente el aparato para garantizar su buen funcionamiento y evitar daños!

- Comprobar periódicamente si el depósito o el cable presentan daños y sustituirlos llegado el caso.
- Con respecto al lugar de colocación, debe tenerse en cuenta lo que sigue:
 - que no se transmitan vibraciones fuertes a través de las tuberías o las fijaciones;
 - que haya una buena ventilación, para evitar que se acumule el calor;
 - que no haya contacto directo con materiales inflamables ni una distancia demasiado pequeña a los mismos.
- Los datos sobre la temperatura de salida del aire comprimido se refieren a la temperatura que se mide directamente a la salida del calentador de aire comprimido. Dependiendo de la instalación para la distribución posterior, habrá que tener en cuenta la pérdida de calor que puede producirse en el recorrido que va desde la salida del calentador de aire comprimido CLEARPOINT hasta el punto de consumo. En caso necesario, el instalador o el usuario deberán proveer de aislamiento térmico las tuberías de distribución.

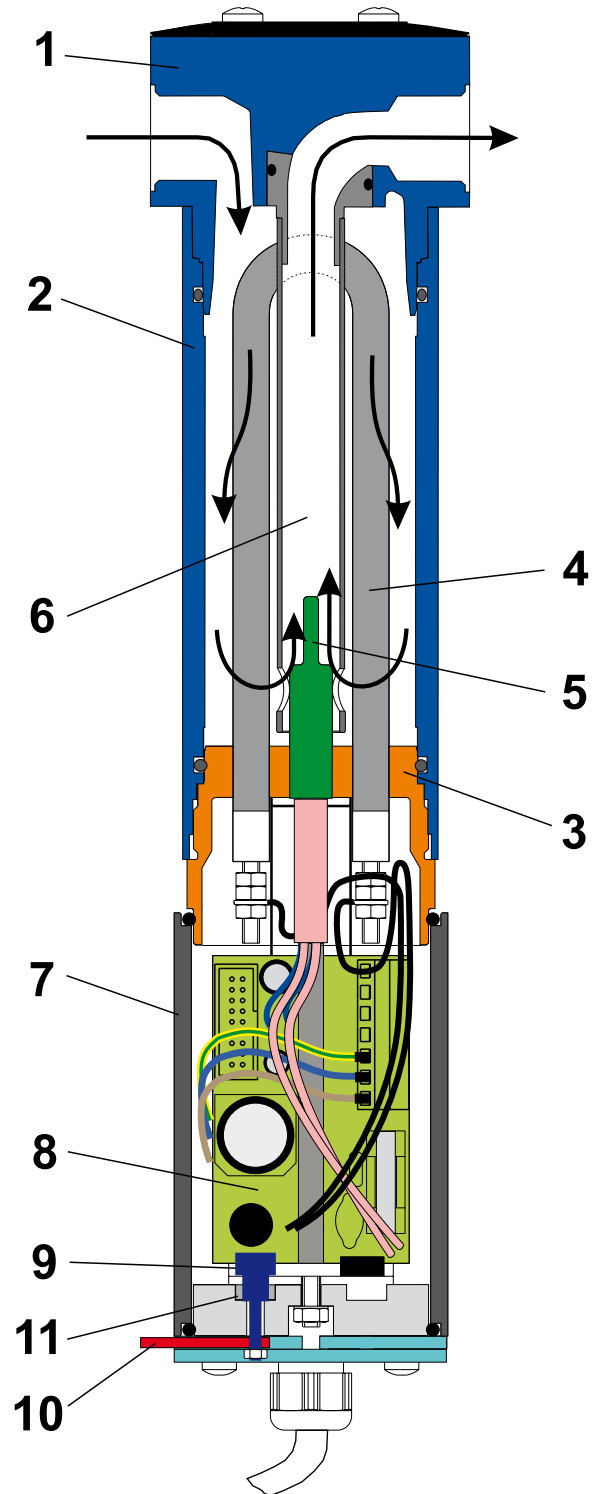
Funcionamiento

El calentador de filtro consta de una carcasa CLEARPOINT en cuyo depósito (2) se ha fijado en la parte inferior una pieza roscada compacta (3) con un elemento calentador (4). La pieza roscada (3) contiene también un sensor térmico protegido y resistente a la presión (5). En el centro se sitúa un tubo (6) fijado entre la cabeza (1) y la pieza roscada.

En la parte inferior del aparato se encuentra la carcasa eléctrica (7), en la que se integra la alimentación de la corriente (cable de conexión del aparato estándar con clavija) y una placa de circuitos impresos (8). En la placa hay un potenciómetro (9) que puede regularse por medio de una palanca que sobresale por la parte lateral inferior (10). Esto permite regular la temperatura máxima del aire comprimido saliente (pegatina con valores límite, véanse también los datos técnicos). La carcasa eléctrica dispone de una protección contra la sobrepresión (9), para el supuesto de que se produzcan fugas entre el depósito (2) y la carcasa eléctrica (7).

El aire comprimido entrante en la cabeza del filtro (1) se distribuye y circula por el depósito (2) hacia abajo. El calentamiento, que es medido continuamente por el sensor térmico (5), se produce por el contacto con el elemento calentador (4). A través del tubo (6) fijado en el centro, el aire comprimido calentado llega a la salida en la cabeza del filtro (1), y de allí pasa a la aplicación de aire comprimido.

El sensor térmico (5) y el control electrónico integrado en la placa de circuitos impresos (8) garantizan el mantenimiento de la temperatura máxima de la superficie. Debido a la escasa masa térmica del elemento calentador y al registro exacto de la temperatura del aire comprimido, se produce un ajuste rápido de la potencia de calefacción dentro de la curva de rendimiento del aparato.



Instalación

A diferencia de los aparatos convencionales, el calentador de aire comprimido CLEARPOINT también se puede utilizar con aire comprimido saturado. No obstante, se recomienda el uso de un filtro de coalescencia dispuesto por delante del calentador de aire comprimido para separar los aerosoles del aire comprimido. Por razones prácticas, el calentador de aire comprimido se instala inmediatamente por delante del punto de aplicación. El aparato debe instalarse con la entrada de aire comprimido arriba y la conexión eléctrica abajo (véase el croquis de funcionamiento).

Cuando la aplicación exija una calidad de aire comprimido concreta y se coloque un filtro de coalescencia por delante del calentador de aire comprimido, el filtro y el calentador de aire comprimido pueden combinarse sencillamente con un set de conexión F2CK4 para formar un aparato de tratamiento compacto.

- Determinar el punto de instalación:
 - no deben producirse vibraciones fuertes;
 - debe haber una buena ventilación para evitar acumulaciones de calor;
 - no debe haber contacto directo con materiales inflamables ni una distancia demasiado pequeña a los mismos.
- Despresurizar el tubo.
- Instalar el aparato siguiendo la dirección de flujo (véase la flecha sobre la tapa negra), combinándolo con filtros en posición vertical.
- Utilizar conexiones con rosca cilíndrica de según DIN ISO 7/1 228-1 / ANSI ASME B120.1-1983 y sellar con un material de sellado adecuado.
- Instalar el enchufe para la conexión del aparato en un lugar fácilmente accesible. En los calentadores de aire comprimido de la versión con cable sin clavija de alimentación, la conexión eléctrica debe correr a cargo exclusivamente de personal técnico autorizado. **¡El cable de conexión del aparato no debe entrar en contacto con la carcasa del calentador de aire comprimido ni con otras piezas calientes!**

Puesta en marcha

- ¡No encienda todavía el calentador de aire comprimido (no enchufe el conector del aparato a la red)!
- Una vez instalado correctamente, presurice el aparato despacio hasta conseguir una presión homogénea.
- Compruebe la estanqueidad del sistema. ¡En caso de fugas, interrumpa la alimentación de aire comprimido y elimine inmediatamente dichas fugas! Vuelva a presurizar el sistema.
- Regulación previa de la temperatura máxima interna (temperatura de salida del aire comprimido):
 - Tope derecho de la palanca: aprox. +30°C
 - Tope izquierdo de la palanca: aprox. +60°C
- En el modelo de aparato con cable sin clavija de alimentación, la conexión eléctrica debe llevarse a cabo exclusivamente por personal técnico cualificado. En el caso de los aparatos con clavija, comprobar que la tensión del enchufe sea de 115 VAC. A continuación, realice la conexión eléctrica del aparato (enchufe de seguridad).
- Se debe prever una fase de precalentamiento de unos 10 min. antes de proceder al uso propiamente dicho, ya que la conexión electrónica regula intencionadamente el proceso calentamiento para que éste se produzca de forma lenta.



Mantenimiento



¡Peligro!
¡Aire comprimido!

Existe peligro de sufrir lesiones graves e incluso la muerte por el contacto con aire comprimido que se escape de forma rápida o repentina, o por la explosión de alguna pieza del aparato.



¡Peligro!
¡Tensión de la red!

Peligro de sufrir una descarga eléctrica con resultado de lesiones o muerte por contacto con piezas no aisladas que lleven tensión de red.

Medidas:

¡Respetar todas las normas vigentes para instalaciones eléctricas (VDE 0100)!

Todos los trabajos eléctricos deben realizarse únicamente por personal técnico cualificado.



¡Peligro!
¡Alta temperatura en la carcasa!

Si alguna parte del cuerpo desprotegida entra en contacto con la carcasa caliente (hasta +80°C) pueden producirse quemaduras.

Peligro de incendio por objetos, polvos o gases fácilmente inflamables.

Atención:

No es necesario ni se permite realizar trabajos de mantenimiento directamente en los calentadores de aire comprimido. Los aparatos averiados deben enviarse al fabricante para su reparación.

Los trabajos de mantenimiento en el aparato se limitan a controles visuales periódicos, cuyos ciclos deberá fijar el operador del equipo según su propio criterio:

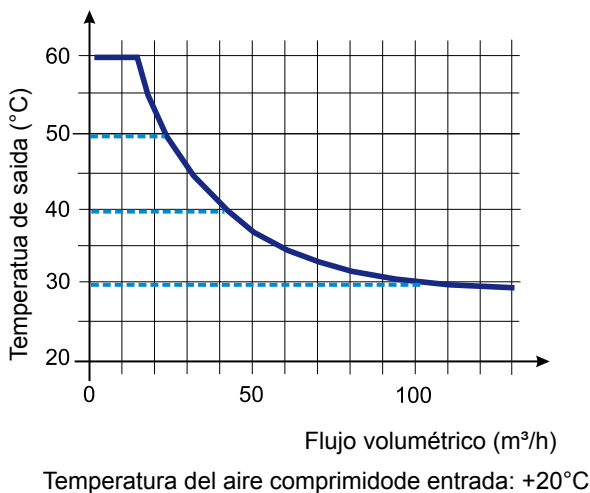
- Inspección del cable de conexión eléctrica:
 - que no esté en contacto con la carcasa;
 - que el recubrimiento del cable no presente daños;
 - que esté bien conectado a la red;
 - que se desconecte en caso de parada de larga duración y al concluir el trabajo.
- Evaluación el punto de instalación (peligro de incendio):
 - que haya ventilación suficiente y el aparato no esté aislado térmicamente;
 - que no haya contacto ni proximidad a materiales y polvos inflamables;
 - que no haya salpicaduras de agua.
- Cuerpo del aparato:
 - que no haya daños mecánicos en los elementos de la carcasa sometidos a presión;
 - que el asiento de la carcasa eléctrica sea correcto (pieza inferior de plástico);
 - que la protección contra contactos esté bien fijada, en caso de haberla.
- Palanca de regulación de la temperatura del aire comprimido
 - Comprobación de la movilidad/capacidad de ajuste
 - Ausencia de daños mecánicos

Datos técnicos

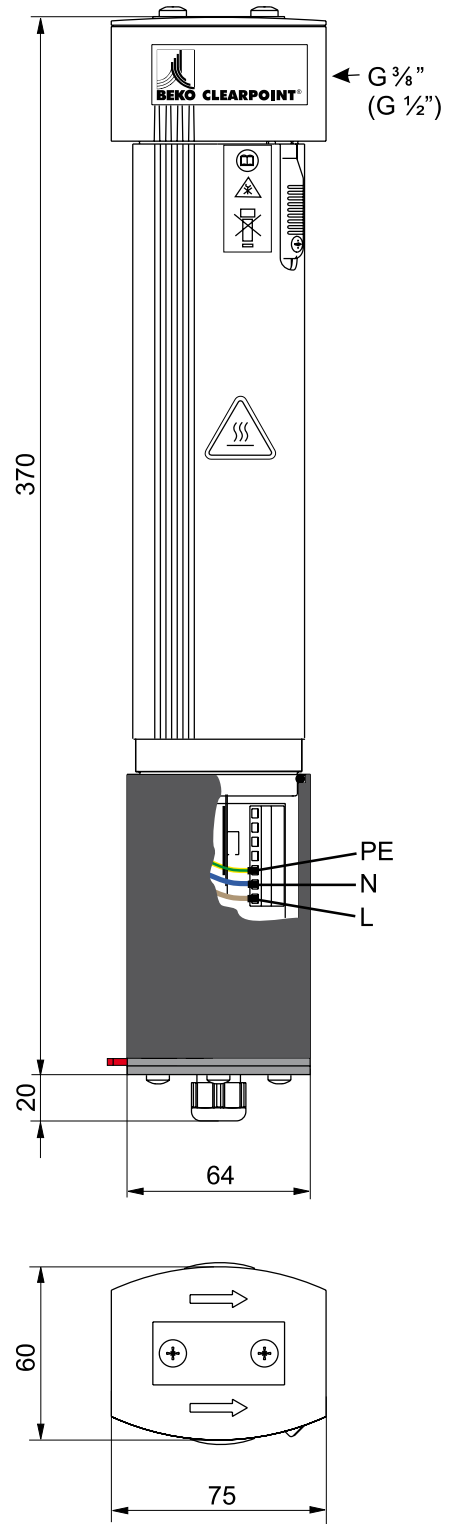
- Medio: aire comprimido, gases inertes
 - exento de sustancias agresivas
 - de seco a saturado en humedad
- Material de carcasa: aluminio, anodizado con recubrimiento de pintura pulverizada base de polioximetileno (POM)
- Máxima sobrepresión de servicio admitida (en PS): 16 bar
- Conexión de tubo: 3/8" bei S040
1/2" bei S050
- Flujo volumétrico a 7 bar: max. 50 m³/h a S040
max. 100 m³/h a S050
- Presión diferencial: S040 a 50 m³/h : < 0,15 bar
S050 a 100 m³/h : < 0,2 bar
- Temperatura de entrada: de +2°C a +50°C
- Temperatura ambiental: de +2°C a +50°C
- Gama de ajuste de la temperatura de salida del aire comprimido: +30°C a +60°C
- Temperatura de desconexión de seguridad interna: +84°C
- Temperatura máx. del exterior de la carcasa: +80°C
- Temperatura máx. de salida del aire comprimido: +60°C
- Volumen: 0,42 l
- Tensión: 115 VAC / 50 Hz +/- 25%
- Potencia *: 420 (750) W
- Tipo de protección: IP 54
- Peso: 2,4 kg

* a +20°C: Corriente máx. de arranque 4 A
Potencia de arranque max. 750 W

Incremento de la temperatura en función del flujo volumétrico
 - Temperatura de entrada del aire comprimido: +20°C
 - Intervalo de regulación de la temperatura máxima interna (temperatura de salida del aire comprimido): +30°C a +60°C



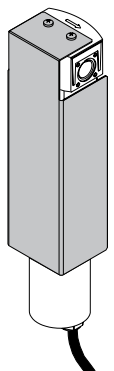
Atención:
Tenga en cuenta el posible enfriamiento del aire comprimido desde la salida del calentador hasta el punto de consumo.



Accesorios

Protección contra contactos:
Fijar sobre la cabeza de filtro

N.º de referencia: XZ CPHZ 001





Veillez vérifier si cette instruction de service correspond au réchauffeur d'air comprimé CLEARPOINT modèle S040/S055 TWC .

Utilisation

Selon la directive européenne 97/23/EG (DGRL) régissant les appareils sous pression, son utilisation est limitée à l'air comprimé et aux gaz inertes appartenant au groupe 2 des fluides. L'emploi abusif du réchauffeur d'air comprimé pour le réchauffement d'autres milieux gazeux ou pour d'autres usages que le réchauffement de l'air comprimé ou des gaz inertes du groupe 2 des fluides n'est pas autorisé. De même, l'emploi dans des atmosphères explosives "EX" n'est pas non plus autorisé.

. Le réchauffeur d'air comprimé est avant tout utilisé là où la formation d'aérosols ou de condensat pourrait mener à des dysfonctionnements suite à un refroidissement de l'air comprimé :

- dysfonctionnements au niveau des instruments de mesure et de régulation,
- apparition de bulles d'eau lors de la peinture au pistolet,
- usure prématurée de l'outillage pneumatique du fait de la corrosion
- formation de glace au niveau des vannes et équipements de régulation en cas de détente rapide de l'air comprimé

Le réchauffeur d'air comprimé ne peut être utilisé qu'en respectant la tension de service prescrite.

Consignes de sécurité

- **Respectez impérativement les instructions d'installation et de service !**



**Danger !
Air comprimé !**

Risque de blessures graves voire danger de mort en cas de contact avec de l'air comprimé s'échappant rapidement ou soudainement ou en cas d'explosion de certaines pièces de l'appareil.

N'utilisez que des composants antidéflagrants !

Évitez que des personnes ou des objets ne soient touchés par du condensat ou par de l'air comprimé s'échappant.

Attention !

Les travaux d'installation et de maintenance ne peuvent être effectués que lorsque l'appareil se trouve hors pression, hors tension et refroidi !

Mesures:

- **Ne pas dépasser la pression de service maximale (voire plaque d'identification)**
- **N'utilisez que des composants antidéflagrants métalliques!** Visser fermement l'arrivée et l'écoulée de l'air comprimé. Ne pas utiliser de tubes en plastique en raison du développement de chaleur dans l'appareil. Éviter que des personnes ou des objets ne soient touchés par du condensat pouvant éventuellement se trouver à l'intérieur de l'appareil
- **Éviter tout environnement chimique agressif ou tout nettoyage avec des produits agressifs, car ceux-ci pourraient endommager le réservoir à air comprimé!**

- **Ne pas effectuer soi-même les travaux de réparation! Les appareils défectueux sont à retourner au fabricant !**



**Danger !
Température élevée du boîtier**

Risque de brûlures des parties du corps non protégées en cas de contact avec le boîtier (sa température peut monter jusqu'à +80°C) . Risque d'incendie pour les objets, la poussière et les gaz légèrement inflammables.

Attention !

Les travaux d'installation ne peuvent être effectués que lorsque l'appareil se trouve hors pression, hors tension et refroidi !

Mesures :

- **Se tenir éloigné du boîtier. En vérifier la température avant de le toucher.**
- **Ne pas dépasser la température maximale de l'air comprimé (voire plaque d'identification) !**
- **Installer des protections contre les contacts accidentels (accessoires recommandés).**
- **N'isolez l'appareil thermiquement qu'avec du matériel approprié (200°C).**
- **Ne pas effectuer soi-même les travaux de réparation! Les appareils défectueux sont à retourner au fabricant!**



**Danger !
Tension électrique !**

Risque d'électrochoc voire de blessures ou danger de mort en cas de contact avec des pièces conductrices non isolées.

Attention !

Les travaux d'installation ne peuvent être effectués que lorsque l'appareil se trouve hors pression, hors tension et refroidi ! Tous les travaux électriques doivent être effectués par un personnel qualifié autorisé.

Mesures :

- **Respecter toutes les directives en vigueur pour les installations électriques (VDE 0100) ! Respecter également les conventions nationales et les directives de sécurité en vigueur concernant le maniement des appareils électriques !**
- **Le câble d'alimentation de l'appareil ne doit pas être en contact avec le boîtier du réchauffeur d'air comprimé !**
- **Le réchauffeur d'air comprimé ne doit pas être utilisé dans des atmosphères Explosibles « Ex ».**
- **Ne pas effectuer soi-même les travaux de réparation! Les appareils défectueux sont à retourner au fabricant!**

Remarques générales

- Il est impératif de respecter ces instructions de montage et de service ! Le non respect peut entraîner des blessures ou conduire à l'endommagement du système! Lors de l'installation, il faut également respecter les conventions nationales et les directives de sécurité en vigueur concernant le maniement des appareils électriques !
- Ne pas dépasser la tension électrique, la pression de service et la température de l'air comprimé prescrites (voire données techniques)
- Les travaux d'installation ne peuvent être effectués que lorsque l'appareil se trouve hors pression, hors tension et refroidi ! Mettre le système hors pression et débrancher l'appareil du secteur !

Mettre le système d'air comprimé hors service pour le cas où la conduite d'arrivée ou d'écoulement de l'air comprimé du réchauffeur ne serait pas étanche ! Remédier à la fuite ! Si le réchauffeur d'air comprimé était lui-même concerné par la fuite, il faut changer d'appareil !

- Ne pas effectuer soi-même les travaux de réparation! Les appareils défectueux sont à retourner au fabricant !
- Le réchauffeur d'air comprimé ne peut être utilisé qu'en respectant la tension prescrite.
- Les opérations d'installation et de branchement électrique, doivent être réalisées exclusivement par un personnel qualifié et autorisé !
- L'appareil doit être installé avec une entrée de l'air comprimé en haut et un raccord électrique en bas (voir schéma de fonctionnement).
- Utiliser exclusivement des composants résistant à la température et à la pression (conduite, joints, matériau étanche,...)
- N'isolez l'appareil thermiquement qu'avec du matériel approprié (**200°C**).
- Éviter tout environnement chimique agressif ou tout nettoyage avec des produits agressifs !
- Pendant l'utilisation, protéger l'appareil de toute influence externe provoquée par l'eau de ruissellement ou les projections d'eau !
- Une phase de préchauffage de 10 minutes avant même l'utilisation est à prévoir, puisque la commutation électronique régule lentement la mise à température.
- L'appareil est certes muni intérieurement d'une protection de surcharge thermique, mais il peut quand même atteindre, à l'arrêt, une température de +80°C (pas de prélèvement d'air comprimé) ! **Au besoin, protéger l'appareil contre tout contact involontaire (voir les accessoires recommandés). Lors de brefs intervalles entre le prélèvement d'air comprimé/l'arrêt, la température de l'air comprimé peut atteindre pour un court moment plus de 60°C.**
- En cas d'arrêt prolongé de l'installation, débrancher l'appareil ou le mettre hors tension. C'est pourquoi, lors de l'installation de la prise de courant utilisée pour l'alimentation, il faut veiller à ce qu'elle soit toujours facilement accessible. **Le câble d'alimentation ne doit pas entrer en contact avec le corps du réchauffeur d'air comprimé !**

- Contrôler régulièrement l'appareil pour s'assurer de son bon fonctionnement et éviter les dommages !
- Vérifier régulièrement si le réservoir ou le câble de l'appareil ne sont pas endommagés. Procéder éventuellement à l'échange des pièces défectueuses.
- A respecter sur le lieu de l'emplacement :
 - Éviter les vibrations fortes pouvant provenir de la conduite ou de la fixation
 - Bien aérer pour éviter les accumulations de chaleur
 - Pas de contact direct ou de distance trop faible avec du matériel inflammable
- Les indications relatives à la température de sortie de l'air comprimé se rapportent à celle directement relevée en sortie du réchauffeur d'air comprimé. En fonction de l'implantation respective de chaque conduite de distribution d'air comprimé réchauffé, tenir compte de la déperdition de chaleur qui risque de se produire entre la sortie de l'air comprimé du réchauffeur CLEARPOINT et son point réel d'utilisation. Le cas échéant, l'installateur ou l'exploitant de l'installation devra calorifier les conduites de distribution.

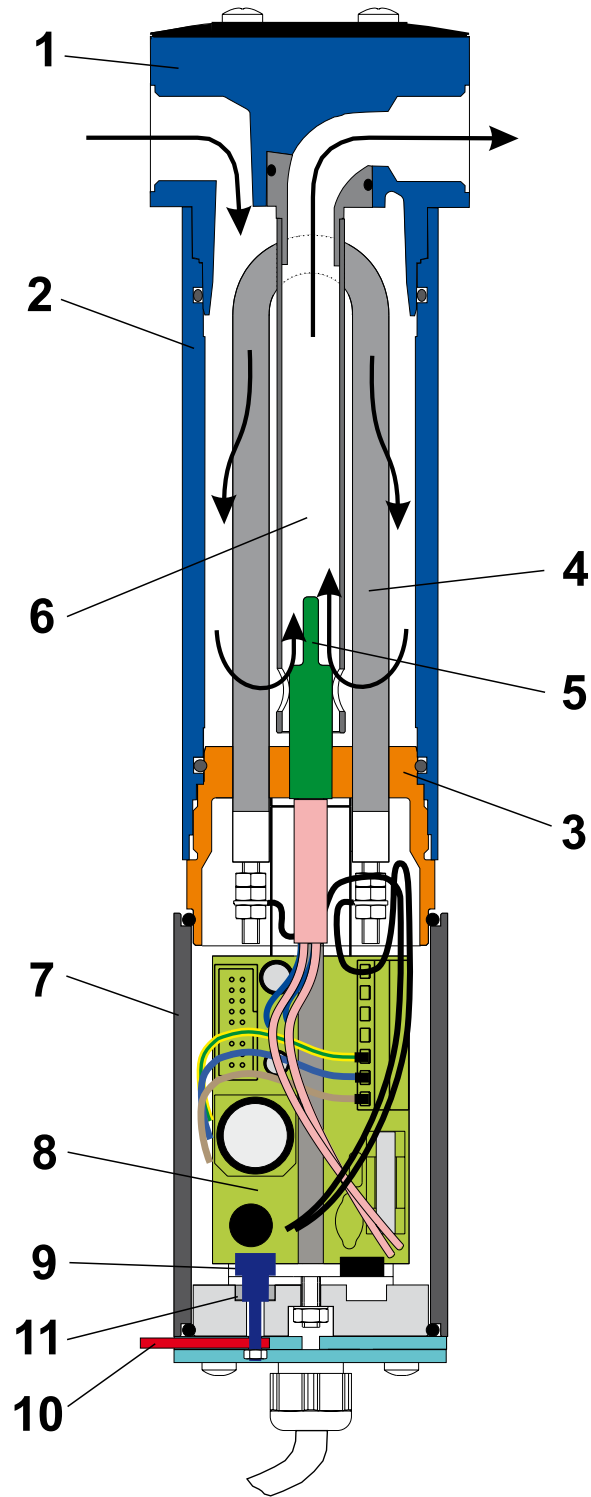
Fonctionnement

Le réchauffeur de filtre est constitué d'un boîtier CLEARPOINT dans le réservoir (2) duquel est fixée une pièce filetée compacte (3) dotée d'un élément réchauffant (4). La pièce filetée comprend également un capteur de température blindé aux composants antidéflagrants (5). Au centre, entre la tête (1) et la pièce filetée, se trouve une conduite directrice (6).

Dans le bas de l'appareil, est disposé un boîtier électrique (7), dans lequel sont intégrées l'alimentation en courant (câble standard d'alimentation à l'appareil avec fiche) et une platine (8). Sur la platine se trouve un potentiomètre (9) qui peut être réglé par un levier situé sur le côté en bas. Ce levier permet de régler la température maximale de l'air comprimé sortant (autocollant avec valeurs limites, cf. données techniques). Le boîtier électrique dispose d'une protection de surpression (11), en cas d'inétanchéité entre le réservoir (2) et le boîtier électrique (7).

L'air comprimé entrant dans la tête du filtre (1) est réparti et s'écoule dans le réservoir (2) vers le bas. Le réchauffement se fait par le contact avec l'élément réchauffant (4) qui est continuellement mesuré par le capteur de température (5). L'air comprimé réchauffé parvient, par la conduite directrice (6) fixée au centre, à la sortie située à la tête du (1) filtre et ainsi à l'endroit de son utilisation.

Le capteur de température (5) et la régulation électronique (8) intégrée sur la platine garantissent le respect de la température de surface maximale. La faible masse thermique de l'élément réchauffant et la mesure exacte de la température de l'air comprimé permettent un réajustement rapide de la puissance calorifique par rapport aux caractéristiques de l'appareil.




Installation

Les surfaces extérieures des cames chauffantes sont réalisées en acier inoxydable. Il est recommandé d'utiliser un filtre à coalescence devant le réchauffeur d'air comprimé pour séparer les aérosols de l'air comprimé. Il est de bon sens d'effectuer le montage du réchauffeur d'air comprimé juste devant le lieu de l'utilisation. L'appareil doit être installé avec une entrée de l'air comprimé en haut et un raccord électrique en bas (voir schéma de fonctionnement).

Si l'air comprimé doit satisfaire à des exigences particulières pour l'application en question, et si un filtre à coalescence doit être placé avant le réchauffeur de filtre, le filtre et le réchauffeur d'air comprimé peuvent être complétés à l'aide d'un kit d'assemblage F2CK4 et constituer ainsi une installation de traitement compacte.

- Choisir l'endroit pour l'insertion.
 - L'appareil ne doit pas être exposé à des vibrations intenses.
 - Veiller à une bonne ventilation pour éviter l'accumulation de chaleur
 - Éviter tout contact direct ou toute distance trop faible par rapport à des produits inflammables
- Dépressuriser la conduite.
- Monter l'appareil en respectant le sens de circulation de l'air (voir flèche sur le cache noir), en tant que combinaison avec filtres en position verticale.
- Utiliser des éléments de raccordement avec filetage cylindrique selon DIN-ISO7/1 228-1 / ANSI ASM EB120.1-1983 et assurer l'étanchéité à l'aide d'un produit adéquat.
- Installer la prise de courant utilisée pour l'alimentation de façon à ce qu'elle soit toujours facilement accessible. Seul un personnel qualifié autorisé peut effectuer le raccord électrique du réchauffeur d'air comprimé dans la version avec câble sans fiche. **Le câble d'alimentation de l'appareil ne doit pas entrer en contact avec le boîtier du réchauffeur d'air comprimé ou de tout autre pièce réchauffée de l'installation !**

Mise en service

- Dans un premier temps, ne pas allumer le réchauffeur d'air comprimé (ne pas enficher la fiche secteur dans la prise de courant) !
 - Une fois l'installation réalisée selon les règles de l'art, mettre l'appareil lentement sous pression, jusqu'à ce qu'une pression homogène soit atteinte.
 - Vérifier l'étanchéité du système. En cas de fuite: interrompre l'arrivée d'air comprimé et remédier immédiatement à la fuite ! Remettre le système sous pression.
 - Préréglage de la température pour la température interne maximale (température de sortie de l'air comprimé)
 - Levier vers la droite: env. +30°C
 - Levier vers la gauche: env. +60°C
- 
- La version de l'appareil avec câble sans fiche ne peut être raccordée que par un personnel qualifié autorisé. Pour les appareils avec fiche, vérifier que la prise dispose d'une alimentation électrique de 230° VAC. Brancher alors l'appareil (fiche Schuko).
 - Une phase de préchauffage de 10 minutes avant même l'utilisation est à prévoir, puisque la commutation électronique régule lentement la mise à température.

Maintenance



Danger !
Air comprimé !

Risque de blessures graves voire danger de mort en cas de contact avec de l'air comprimé s'échappant rapidement ou soudainement ou en cas d'explosion de certaines pièces de l'appareil.



Danger !
Tension électrique !

Risque d'électrochoc voire de blessures ou danger de mort en cas de contact avec des pièces conductrices non isolées.

Mesures :

Respecter toutes les directives en vigueur pour les installations électriques (VDE 0100) !

Tous les travaux électriques doivent être effectués par un personnel qualifié autorisé.



Danger !
Température élevée du boîtier

Risque de brûlures des parties du corps non protégées en cas de contact avec le boîtier (sa température peut monter jusqu'à +80°) . Risque d'incendie pour les objets, la poussière et les gaz légèrement inflammables.

Attention !

Aucun travail de maintenance n'est nécessaire ni autorisé au réchauffeur d'air comprimé. Les appareils défectueux sont à retourner au fabricant !

Les travaux de maintenance de l'appareil se limitent à des contrôles visuels réguliers dont la fréquence est laissée à l'appréciation de l'exploitant :

- Contrôle du câble d'alimentation
 - Pas de contact avec le boîtier
 - Pas de dommage à la gaine du câble
 - Branchement conforme à l'alimentation par secteur
 - Mise hors service en cas de non utilisation prolongée ou après fin du travail
- Evaluation du lieu de l'emplacement (Risque d'incendie)
 - Aération suffisante, pas d'isolation thermique de l'appareil
 - Pas de contact ou de distance trop faible avec du matériel ou de la poussière
 - Protection de l'appareil face à des projections d'eau
- Boîtier
 - Pas de dommages mécaniques aux parties sous pression du boîtier
 - Installation correcte des ou du boîtier électrique (partie inférieure en plastique)
 - Installation correcte des protections contre les contacts accidentels, si existantes
- Levier de réglage de la température de l'air comprimé
 - Contrôle mobilité/réglage
 - Pas de dommages mécaniques

Caractéristiques techniques

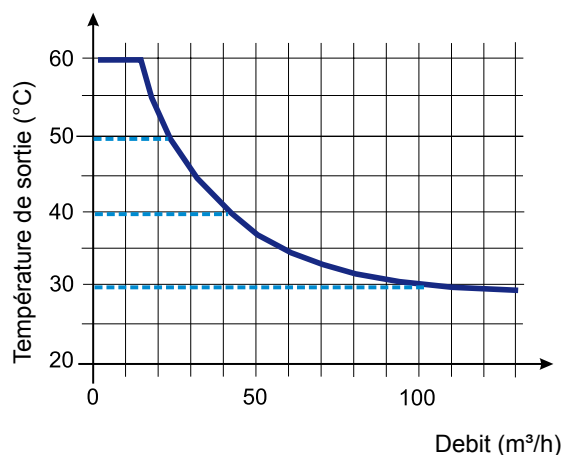
Fluides:	Air comprimé, gaz inertes - exempt de composants agressifs - sec jusqu'à saturé en humidité
Matériau du corps:	Aluminium, anodisé, peinture par poudrage électrostatique à l'extérieur Base en polyoxyde de méthylène POM
Pression de service max. PS:	16 bar
Raccord tuyauterie:	1/2"
Débit à 7 bar: max.	50 m ³ /h à S040 max. 100 m ³ /h à S050
Pression différentielle:	S040 à 50 m ³ /h : < 0,15 bar S050 à 100 m ³ /h : < 0,2 bar
Température d'entrée:	de +2°C à +50°C
Température ambiante:	de +2°C à +50°C
Champ de réglage de la température de sortie de l'air comprimé:	de +30°C à +60°C
Sécurité interne température de mise hors-service:	+84°C
Température maximale extérieure du boîtier:	+80°C
Température maximale de sortie de l'air comprimé :	+60°C
Volume:	0,42 l
Tension d'alimentation:	115 VAC / 50 Hz +/- 25%
Puissance: *	420 (750) W
Degré de protection:	IP 54
Poids:	2,4 kg

* à 20°C :

- Courant de démarrage max. 4 A
- consommation au démarrage max. 750 W

Augmentation de la température en fonction du débit

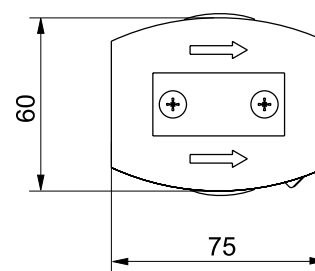
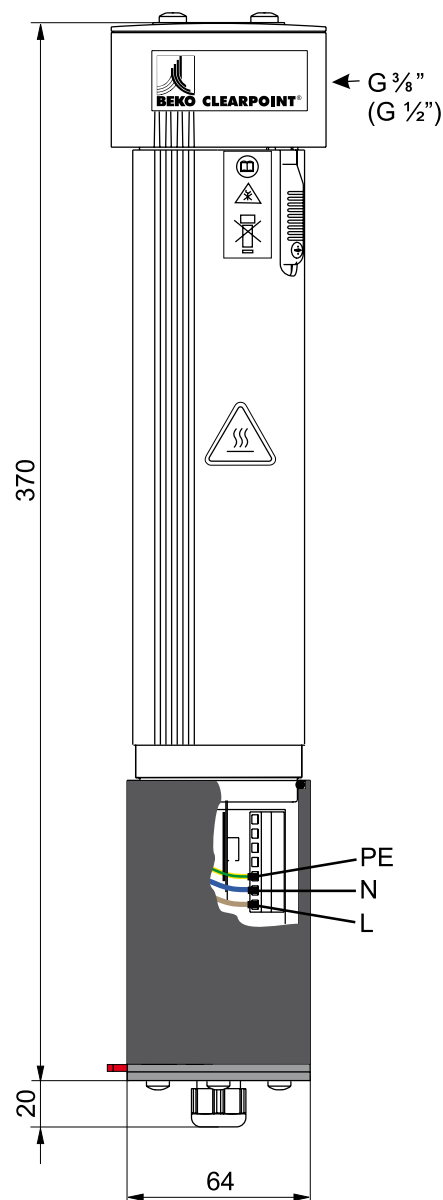
- Température d'entrée de l'air comprimé +20°C
- Champ de réglage de la température maximale interne (température de sortie de l'air comprimé) de +30°C à +60°C



Température d'entrée de l'air comprimé: +20°C

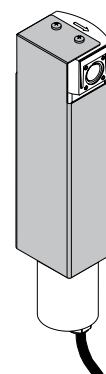
Remarque:

Noter qu'un éventuel refroidissement de l'air comprimé peut se produire entre la sortie du réchauffeur et le point d'utilisation.

**Accessoires****Protection thermique :**

Fixer la protection à la tête du filtre

Référence: XZ CPHZ 001





Queira verificar se estas instruções correspondem ao aquecedor de ar comprimido CLEARPOINT do tipo S040/S050 TWC.

Utilização

A utilização restringe-se a ar comprimido e gases inertes do grupo de fluidos 2 da directiva europeia para aparelhos de ar comprimido 97/23/CE (DGRL). A utilização incorrecta do aquecedor de ar comprimido para o aquecimento de outros fluidos ou para outros fins que não o aquecimento de ar comprimido ou gases inertes do grupo de fluidos 2 não é permitida. É também proibida a sua utilização em zonas com perigo de explosão. O aquecedor de ar comprimido é utilizado predominantemente quando aerossóis e condensações, que ocorrem devido ao arrefecimento do ar comprimido, podem provocar falhas:

- funções falhas em instrumentos de medição e regulação,
- bolhas de água em camadas de laca por pulverização,
- desgaste antecipado de ferramentas devido a corrosão,
- formação de gelo em válvulas e armações reguladoras em caso de relaxação rápida do ar comprimido.

O aquecedor de ar comprimido só pode ser tomado em funcionamento quando há a tensão de serviço necessária.

Indicações de segurança:

- É imprescindível observar as instruções de instalação e serviço!



Perigo !

Ar comprimido !

Há risco de ferimentos graves e até mesmo morte através do contacto com ar comprimido que escapa de modo rápido ou repentino, ou ainda, devido a partes da instalação caso estas explodam.

Utilizar material de instalação resiste a pressão!

Evite que pessoas ou objectos sejam atingidos por condensação ou ar comprimido que escapa.

Atenção !

Trabalhos de instalação só devem ser efectuados com o equipamento livre de pressão, livre de tensão, e arrefecido !

Medidas:

- **A pressão máx. de serviço não deve ser ultrapassada (veja placa de características)!**
- **Só utilize material de instalação metálico, resistente à pressão!** Admissão e saída de ar comprimido devem ser colocadas em tubos fixos. Devido ao desenvolvimento de temperatura junto ao aparelho, não utilize tubos de material plástico. Evite que pessoas ou objectos sejam atingidos por condensação eventualmente existente dentro do aparelho.
- **Evite ambientes quimicamente agressivos, ou ainda, limpeza com produtos de limpeza agressivos, tendo em vista que estes podem agredir o material !**

- **Não efectue trabalhos de reparos junto ao aparelho por conta própria! Aparelhos defeituosos devem ser reenviados ao fabricante!**



Perigo !

Temperaturas elevadas junto à carcaça !

Através do contacto de partes desprotegidas do corpo com a carcaça quente (até +80°C) podem ocorrer queimaduras. Há risco de incêndio de objectos, pós e gases de fácil combustão.

Atenção !

Trabalhos de instalação só devem ser efectuados com o equipamento livre de pressão, livre de tensão, e arrefecido !

Medidas :

- **Manter distância em relação à carcaça. Verificar a temperatura antes de tocá-la.**
- **A pressão máx. de serviço não deve ser ultrapassada (veja placa de características)!**
- **Faça uso de dispositivos de protecção contra toque (acessório recomendado).**
- **O isolamento térmico do aparelho deve ser efectuado apenas com materiais apropriados (200°C).**
- **Não efectue trabalhos de reparos junto ao aparelho por conta própria!**
Aparelhos defeituosos devem ser reenviados ao fabricante!



Perigo !

Tensão de rede !

O contacto com partes não isoladas que conduzem tensão de rede, oferece risco de choque eléctrico com ferimentos e morte.

Atenção !

Trabalhos de instalação só devem ser efectuados com o equipamento livre de pressão, livre de tensão, e arrefecido! Todos os trabalhos eléctricos só devem ser efectuados por pessoal devidamente autorizado.

Medidas :

- **No caso de instalações eléctricas, cumpra todas as normas respectivamente válidas (VDE 0100) ! Adicionalmente, cumpra as disposições nacionais e as normas de segurança referentes ao manuseio de aparelhos eléctricos!**
- **O cabo de conexão do aparelho não deve tocar a carcaça do aquecedor de ar comprimido !**
- **Não faça uso do aquecedor de ar comprimido em áreas com risco de explosão.**
- **Não efectue trabalhos de reparos junto ao aparelho por conta própria !**
Aparelhos defeituosos devem ser reenviados ao fabricante!

Indicações gerais

• É imprescindível observar estas instruções de instalação e serviço! Não observar estas instruções pode implicar em ferimentos e danificações do sistema! Com referência à instalação também devem ser observadas as disposições nacionais válidas e as normas de segurança no manuseio com aparelho eléctricos !

• Não ultrapasse a tensão eléctrica, a pressão de serviço, e a temperatura de ar comprimido (veja dados técnicos)!

• Trabalhos de instalação só devem ser efectuados com o equipamento livre de pressão, livre de tensão, e arrefecido! Comute o sistema para que esteja livre de pressão e desconecte o aparelho da tensão de rede!

Em caso de fugas no tubo de admissão, ou ainda, saída de ar comprimido, desligue o sistema de ar comprimido e só depois elimine a fuga! Em caso de fugas no aquecedor de ar comprimido propriamente dito, substitua o aparelho completo!

• O aquecedor de ar comprimido não deve ser reparado por conta própria, senão enviado ao fabricante.

• O aquecedor de ar comprimido só pode ser colocado em funcionamento quando conectado à tensão de rede.

• Conexões de instalação e eléctrica só devem ser efectuadas por pessoal devidamente autorizado!

• O aparelho deve ser instalado com a entrada de ar comprimido para cima e a ligação eléctrica para baixo (consulte o esquema de funcionamento)

• Só utilize componentes resistentes a temperatura de pressão (tubos, vedações, material de vedação,....)

• O isolamento térmico do aparelho deve ser efectuado apenas com materiais apropriados (**200°C**).

• Evitar ambientes quimicamente agressivos, ou ainda, a limpeza com produtos de limpeza agressivos!

• Durante o funcionamento, proteja o aparelho contra respingos ou pingos!

• Deve contar com uma fase de pré-aquecimento de cerca de 10 minutos antes da utilização efectiva, uma vez que o circuito electrónico regula deliberadamente o aquecimento com atraso.

• Quando em funcionamento, não toque no aparelho nem nos tubos próximos! O aparelho dispõe de uma protecção interna contra sobrecarga térmica, porém, quando parada (sem admissão de ar comprimido) pode aquecer-se até a +80°C. **Eventualmente proteger o aparelho contra toque inadvertidos (veja acessório recomendado)**. Em intervalos breves de admissão de ar comprimido/imobilização, a temperatura do ar comprimido poderia ser momentaneamente superior a +60 °C.

• Caso a instalação deva ficar parada por um tempo prolongado, tire a ficha do aparelho, ou comute-o livre de tensão. Por este motivo, a tomada para a ficha do aparelho deve ser instalada em local de fácil acesso. **O cabo de conexão do aparelho não deve tocar a carcaça do aquecedor de ar comprimido !**

• Controle o aparelho regularmente afim de garantir o funcionamento e evitar danificações!

• Controle o aparelho regularmente quanto a danificações no recipiente e no cabo, e, caso necessário, substitua-o(s).

• Com relação ao local de instalação é necessário ter em consideração

- evitar fortes vibrações em tubulações, ou ainda, fixações
- boa ventilação, para evitar acumulação de calor
- não provocar contacto directo, manter uma distância adequada de materias inflamáveis

• As indicações sobre a temperatura de saída do ar comprimido se referem à temperatura diretamente na saída do aquecedor de ar comprimido. De acordo com a instalação na respectiva transmissão do ar comprimido aquecido, deverá ser levada em consideração a perda térmica que pode surgir entre a saída do ar comprimido no aquecedor de ar comprimido CLEARPOINT e o ponto propriamente dito da utilização do ar comprimido. Se for necessário, o instalador/o proprietário da instalação deverá colocar elementos isoladores para as restantes tubulações.

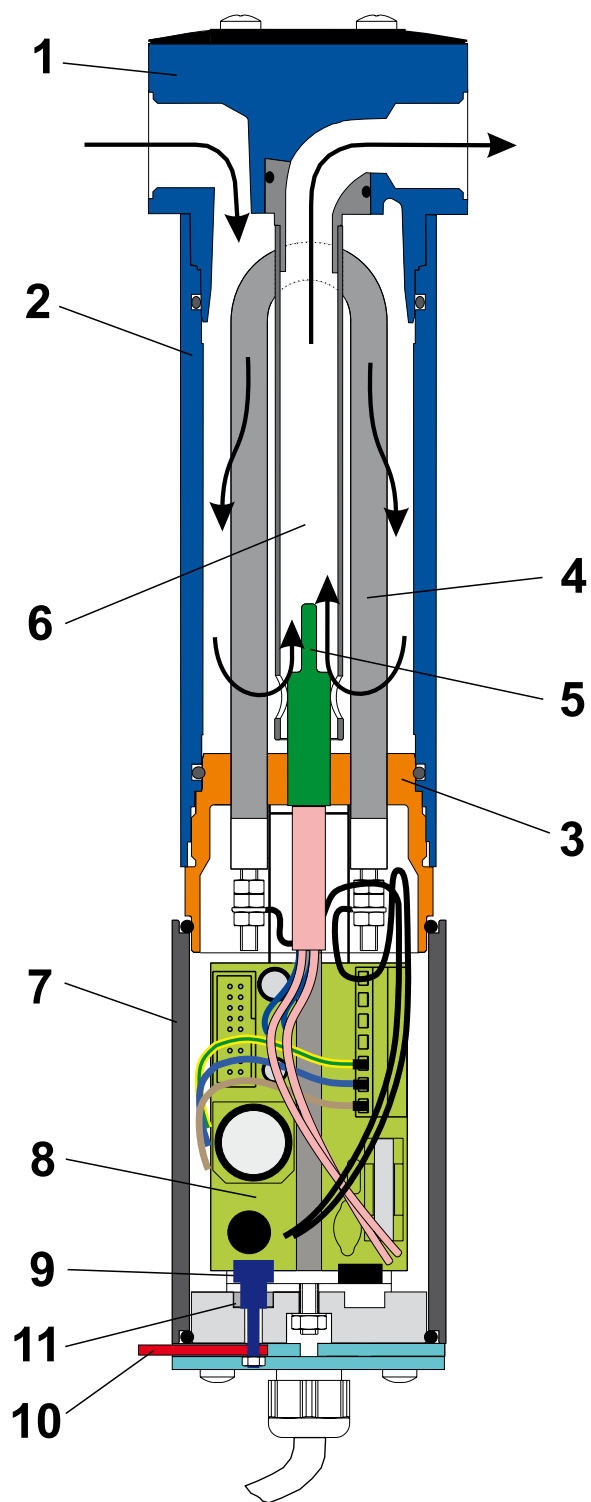
Funcionamento

O aquecedor de filtração consiste de uma carcaça CLEARPOINT, em cujo recipiente (2) em baixo é fixado um a peça compacta de rosca (3) com elemento para aquecimento (4). A peça de rosca (3) também contém um sensor de temperatura blindado de modo a resistir a pressão (5). De modo central é fixado um tubo de guia (6) entre cabeça (1) e peça de rosca.

Em baixo no aparelho encontra-se a electrocarcaça (7), na qual são integrados o abastecimento de tensão (cabo padrão de conexão ao aparelho com ficha) e uma platina (8). Sobre a platina há um potenciómetro (9), que pode ser ajustado através de uma alavanca (10) que sobressai em baixo, na lateral. Desde modo è possível ajustar o máx. em temperatura elevada do ar comprimido que escapa (adesivo com valores limite, veja também Dados Técnicos). A electrocarcaça dispõe de um dispositivo de segurança contra excesso de pressão (11), caso ocorram fugas entre o recipiente (2) e a electrocarcaça (7).

O ar comprimido que entra na cabeça do filtro (1) é distribuído, passa pelo recipiente (2) e desce. O aquecimento ocorre no contacto com o elemento para aquecimento (4), que é continuamente medido pelo sensor de temperatura (5). Através do tubo de guia (6), fixado de modo central, o ar comprimido aquecido chega à saída junto à cabeça do filtro (1) e daí para o emprego do ar comprimido.

O sensor de temperatura (5) e a regulação electrónica integrada sobre a platina (8) garantem que a temperatura máxima de superfície seja mantida. Devido à pouca massa térmica do elemento de aquecimento e à detecção exacta da temperatura de ar comprimido, obtém-se uma adequação rápida do rendimento de aquecimento no âmbito das características do aparelho.



Instalação

Ao contrário de aparelhos comuns, o aquecedor de ar comprimido CLEARPOINT também pode ser operado com ar comprimido saturado. Com tudo, recomenda-se a utilização de um filtro de coalescência à frente do aquecedor de ar comprimido, para separar os aerossóis do ar comprimido. Recomenda-se ainda que o aquecedor de ar comprimido seja instalado imediatamente à frente do local de utilização. O aparelho deve ser instalado com a entrada de ar comprimido para cima e a ligação eléctrica para baixo (consulte o esquema de funcionamento). Caso a utilização pretendida imponha demandas especiais à qualidade do ar comprimido, e caso seja instalado um filtro de coalescência à frente do aquecedor de ar comprimido, o filtro e o aquecedor de ar comprimido podem ser complementados com o jogo de ligação F2CK4 instalações compactas de tratamento.

1. Estabelecer o local de instalação:
 - não devem ocorrer vibrações intensas
 - boa ventilação, para evitar acumulação de calor
 - não provocar contacto directo, manter uma distância adequada de materias inflamáveis
2. Comutar a tubulação para o modo livre de pressão.
3. Instalar o aparelho no sentido de fluxo (veja seta na cobertura preta), enquanto combinação com filtros na posição vertical.
4. Utilização fittings de conexão com rosca cilíndrica conforme DINISO 7/1 228-1 / ANSI ASME B120.1-1983 e vedá-las com o produto apropriado de vedação.
5. A tomada para a ficha do aparelho deve ser instalada em local de fácil acesso. A ligação eléctrica dos aquecedores de ar comprimido da versão com cabo sem ficha deve ser estabelecida apenas por pessoal especializado e autorizado. **O cabo de conexão do aparelho não deve tocar a carcaça do aquecedor de ar comprimido, ou outros componentes aquecidos da instalação !**

Tomada em funcionamentoonbedrijfstelling

1. Inicialmente não ligar o aquecedor de ar comprimido (não meter a ficha do aparelho na tomada)!
2. Após a instalação correcta, aumentar lentamente a pressão do aparelho, até alcançar uma pressão uniforme.
3. Verificar a estanqueidade do sistema. Caso sejam detectadas fugas: interromper o abastecimento com ar comprimido e eliminar de imediato a fuga! Voltar a colocar o sistema sob pressão.
4. Pré-ajuste de temperatura para temperatura elevada interna (temperatura do ar de saída) :
 - alavanca esbarro à direita : aprox. +30°C
 - alavanca esbarro à esquerda : aprox. +60°C
5. A versão do aparelho com cabo sem ficha deve ser ligada à rede eléctrica apenas por pessoal especializado e autorizado. Nos aparelhos com ficha, verifique se a tomada tem uma tensão de alimentação de 115 VAC. Ligue então o aparelho à rede eléctrica (ficha Shuko).
6. Deve contar com uma fase de pré-aquecimento de cerca de 10 minutos antes da utilização efectiva, uma vez que o circuito electrónico regula deliberadamente o aquecimento com atraso.



Manutenção



Perigo !
Ar comprimido !

Há risco de ferimentos graves e até mesmo morte através do contacto com ar comprimido que escapa de modo rápido ou repentino, ou ainda, devido a partes da instalação caso estas explodam.



Perigo !
Tensão de rede !

O contacto com partes não isoladas que conduzem tensão de rede, oferece risco de choque eléctrico com ferimentos e morte.

Medidas :

Em caso de instalação eléctrica, observar todas as normas válidas (VDE 0100) !

Todos os trabalhos eléctricos só podem ser efectuados por pessoal especializado, devidamente autorizado.



Perigo!
Temperaturas elevadas na carcaça !

Através do contacto de partes desprotegidas do corpo com a carcaça quente (até +80°C) podem ocorrer queimaduras. Há risco de incêndio de objectos, pós e gases de fácil combustão.

Atenção :

Directamente junto ao aquecedor de ar comprimido não é necessário efectuar trabalhos de manutenção, ou ainda, não é permitido efectuá-los. Aparelhos defeituosos devem ser reenviados ao fabricante para reparos.

Os trabalhos de manutenção junto ao aparelho restringem-se a controlos visuais regulares, cuja periodicidade o operador da instalação deve determinar conforme considerar apropriado :

- a) Verificação do cabo de conexão eléctrico
 - não há contacto com a carcaça
 - o revestimento do cabo não apresenta danificações
 - conexão correcta ao abastecimento de corrente
 - retirada de funcionamento em caso de paradas prolongadas, ou quando do final dos trabalhos
- b) Avaliação do local de instalação (risco de incêndio)
 - ventilação suficiente, sem isolamento térmico junto ao aparelho
 - sem contacto / afastado de materias e pós inflamáveis
 - evitar respingos
- c) Corpo do aparelho
 - sem danificações mecânicas em parte da carcaça expostas a pressão
 - colocação correcta do e da carcaça eléctrica (parte inferior de material plástico)
 - colocação correcta dos dispositivos de protecção contra toque, caso existentes
- d) Alavanca para aduste da temperatura do ar comprimido
 - verificação mobilidade / ajuste
 - sem danificações mecânicas

Dados técnicos

Meion: ar comprimido, gases inertes
- livres de componentes agressivos
- seco, ou humidade saturada

Material da carcaça: alumínio, oxidação anódica,
por fora revestimento pulverizado,
área do fundo POM

Excesso de pressão máx. admitido PS: 16 bar

Conexão de tubulação: 3/8 com S040
1/2" com S050

Volume de fluxo a 7 bar: máx. 50 m³/h com S040
máx. 100 m³/h com S050

Pressão diferencial: S040 com 50 m³/h : < 0,15 bar
S050 com 100 m³/h : < 0,2 bar

Temperatura de entrada: +2°C a +50°C

Temperatura ambiente: +2°C a +50°C

Intervalo de ajuste da temperatura de saída do ar comprimido:
+30°C a +60°C

Temperatura de desconexão interna de segurança: +84°C

Temperatura máx. da carcaça: +70°C

Temperatura máx. de saída do ar comprimido: +60°C

Volume: 0,42 l

Tensão: 115 VAC / 50 Hz +/- 25%

Rendimento *: 420 (750) W

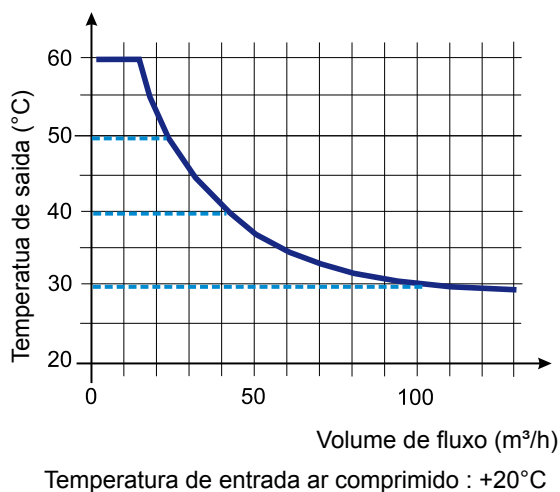
Tipo de protecção: IP 54

Peso: 2,4 kg

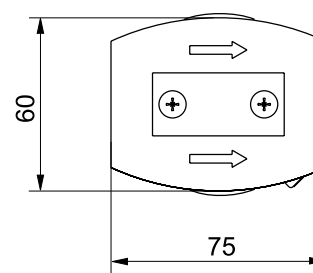
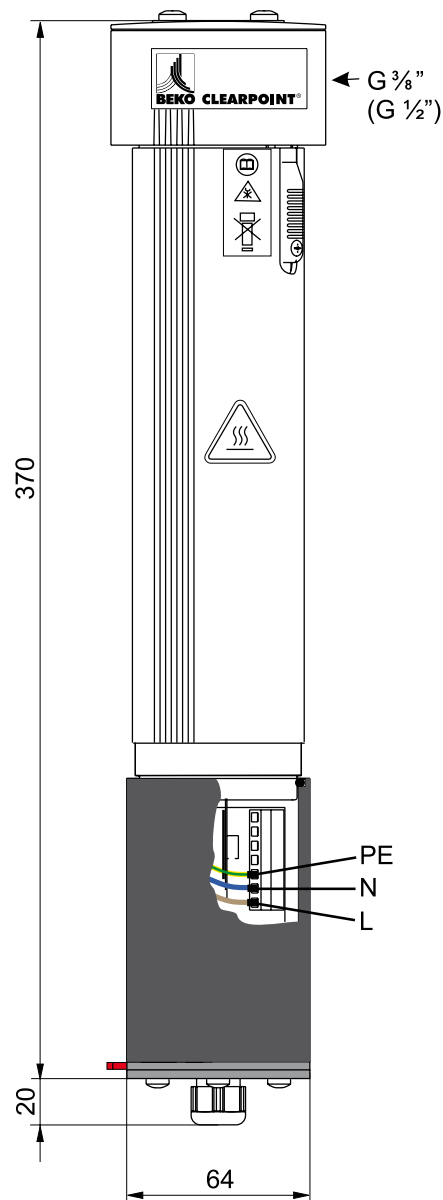
* com +20°C : Corrente de ligação máx. 4 A
Rendimento de ligação max. 750 W

Elevação de temperatura em dependência do volume de fluxo

- temperatura de entrada do ar comprimido +20°C
- área de ajuste temperatura elevada interna (temperatura de saída ar comprimido) +30°C a +60°C

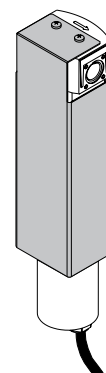
**Observação:**

Levar em consideração um possível arrefecimento do ar comprimido desde a saída do aquecedor até ser utilizado.

**Acessório****Protecção contra toque :**

Fixar sobre a cabeça do filtro

Nº. para encomenda: XZ CPHZ 001





BEKO TECHNOLOGIES GMBH

Im Taubental 7 Tel +49 2131 988-0
41468 Neuss Fax +49 2131 988-900
www.beko.de beko@beko.de

Technische Änderungen vorbehalten, alle Angaben stellen
keine Beschaffenheitsmerkmale im Sinne des BGB dar.
Subject to technical changes without prior notice; errors not excluded.
Sous réserve de modifications techniques et d'erreurs typographiques.
Technische veranderingen en vergissingen voorbehouden.
CP Drucklufttheizer S055TWC_en,es,fr,pt_usa
Stand/Edition/Edition/Stand: 2009-03

CLEARPOINT S040 / S050 TWC Control