



## Drying | DRYPOINT® RA HT

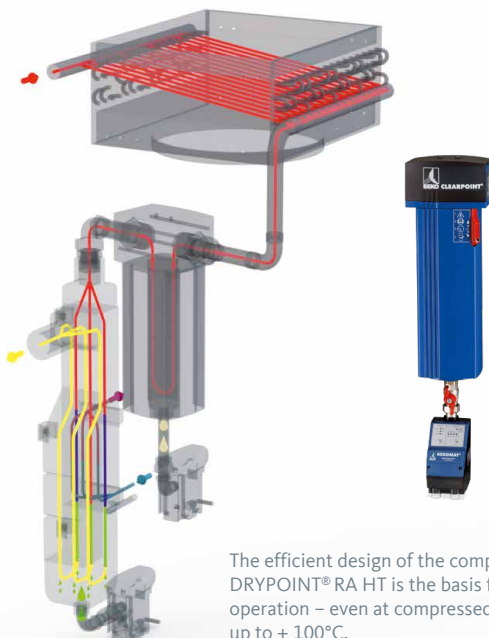
# The refrigeration dryer for high inlet temperatures: DRYPOINT® RA HT

The DRYPOINT® RA HT compressed-air refrigeration dryer has been specially developed for applications in which compressed air has to be dried efficiently at high inlet temperatures up to 100 °C bar.

The refrigeration dryer provides maximum safety with minimum energy consumption. The integrated BEKOMAT® safely drains the condensate that is produced and with no unnecessary loss of compressed air.

The sophisticated, flow-optimised design ensures that the compressed air flows through the dryer with little resistance. The optimised refrigeration compressor technology also ensures a low energy consumption with a very stable pressure dew point.

- › **Compressed air inlet temperatures up to + 100 °C**
- › **Integrated CLEARPOINT® pre-filter**
- › **Safe condensate discharge by utilising BEKOMAT®**
- › **Low energy consumption with stable pressure dew point due to optimised refrigeration compressor technology**

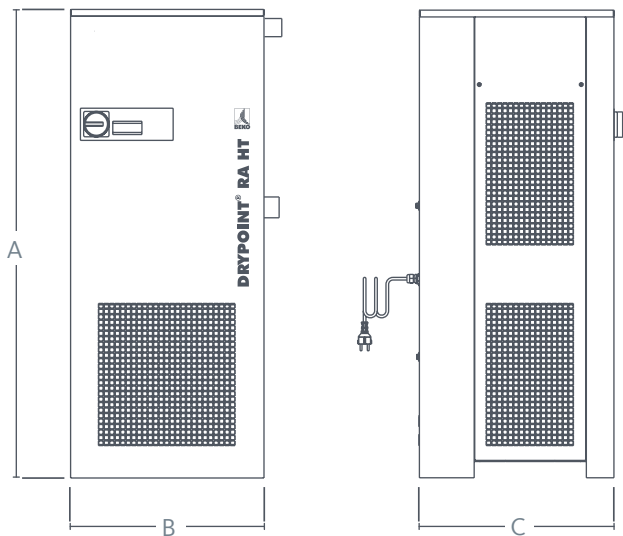


Integrated CLEARPOINT® pre-filter with BEKOMAT®

The efficient design of the compressed-air refrigeration dryer DRYPOINT® RA HT is the basis for a cost-effective and safe operation – even at compressed air inlet temperatures of up to + 100°C.

Better through Responsibility





Operating conditions	
Maximum compressed air inlet temperature	+100 °C
Min. ...max. operating pressure RA 5 – RA 100	4 ... 14 bar [g]
Min. ... max. ambient temperature	+2 ... +50 °C
Reference conditions according to DIN / ISO 7183	
Volume flow rate in m <sup>3</sup> /h relative to +20 °C	1 bar [g]
Operating pressure (p <sub>1</sub> )	7 bar [g]
Reference conditions	
Compressed air inlet temperature (t <sub>1</sub> )	+80 °C
Ambient temperature (t <sub>a</sub> )	+32 °C
Pressure dew point (t <sub>pdp</sub> )	+7 °C
Electrical connections (other voltages on request)	
RA 5 / AC HT – RA 100 / AC HT	230 V, 50 Hz, 1 Ph.

DRYPOINT® RA	5 / AC HT	8 / AC HT	12 / AC HT	18 / AC HT	23 / AC HT	30 / AC HT
Volume flow (Nm <sup>3</sup> /h)	33	51	72	108	138	186
Power consumption (kW)	0.25	0.27	0.35	0.54	0.64	0.85
Pressure loss (Δp bar [g])	0.08	0.18	0.26	0.20	0.35	0.28
Air connection (ø in inches)	G 1/2 BSP-F	G 1/2 BSP-F	G 1/2 BSP-F	G 1 BSP-F	G 1 BSP-F	G 1 1/4 BSP-F
Dimensions						
A (mm)	645	645	645	1130	1130	1240
B (mm)	425	425	425	410	410	510
C (mm)	415	415	415	465	465	515
Weight (kg)	30	31	33	50	51	61
Order ref.	4013966	4014914	4022770	4021663	4022620	4022823

DRYPOINT® RA	40 / AC HT	55 / AC HT	60 / AC HT	80 / AC HT	100 / AC HT
Volume flow (Nm <sup>3</sup> /h)	240	330	372	486	630
Power consumption (kW)	0.86	0.94	1.15	1.65	2.05
Pressure loss (Δp bar [g])	0.34	0.22	0.25	0.29	0.32
Air connection (ø in inches)	G 1 1/4 BSP-F	G 1 1/2 BSP-F	G 1 1/2 BSP-F	G 2 BSP-F	G 2 BSP-F
Dimensions					
A (mm)	1240	1400	1400	1500	1500
B (mm)	510	560	560	710	710
C (mm)	515	595	595	775	775
Weight (kg)	66	75	84	132	138
Order ref.	4022621	4022824	4022825	4022826	4022609

All models come with a BEKOMAT® condensate drain as standard. | Option: Oil-free; anti-corrosion coating TAC

### Correction factors

Operating pressure (bar)	4	5	7	8	10	12	14
Correction factor	0.77	0.86	1.00	1.05	1.14	1.21	1.27

Coolant temperature (°C)	25	30	32	35	40	45	50
Correction factor	1.06	1.02	1.00	0.96	0.87	0.77	0.64

Inlet temperature (°C)	60	70	80	90	100
Correction factor	1.12	1.07	1.00	0.86	0.74

Pressure dew point (°C)	3	5	7	10
Correction factor	0.78	0.90	1.00	1.12

### BEKO TECHNOLOGIES Ltd

Unit 11-12 Moons Park  
Burnt Meadow Road  
North Moons Moat  
Redditch, B98 9PA

Phone +44 (0) 1527 575778  
info@beko-technologies.co.uk  
www.beko-technologies.co.uk



Subject to technical changes without prior notice. Errors and omissions excepted.